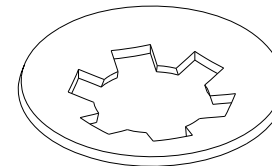
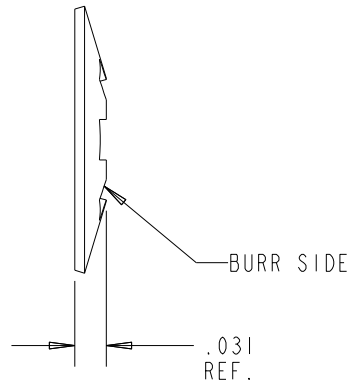
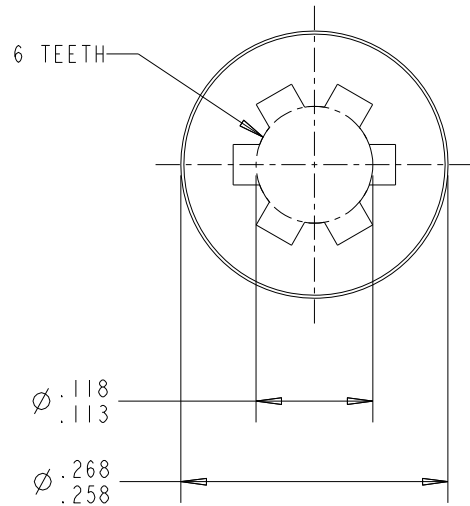


NOTES:

1. I. D. DESIGN FOR .125±.002 DIA. SHAFT.
2. MATERIAL SAE 1050 STEEL, HARDEN AND TEMPER THICKNESS 0.010".
3. FINISHED: PARKERIZED.  
PART MUST BE RoHS COMPLIANT.



**INFORMATION ONLY**

ORIGINAL ON PROYE

DWN: LM
APVD: DS
DATE: 20-Feb-62
THIRD ANGLE PROJECTION

THE CONFIDENTIAL AND PROPRIETARY INFORMATION CONTAINED IN THIS DOCUMENT IS OWNED BY CHERRY ELECTRICAL PRODUCTS, A DIVISION OF THE CHERRY CORPORATION WHO MUST GIVE WRITTEN PERMISSION BEFORE THE DOCUMENT OR INFORMATION CAN BE COPIED, DISCLOSED OR USED IN ANY WAY.

TOLERANCE UNLESS SPECIFIED			
UNITS	X.XX	X.XXX	ANGLES
INCH	± 0.01	± 0.005	± 1.0°

PROJECT / ESR

		11200 88TH AVENUE PLEASANT PRAIRIE, WI 53158	
ELECTRICAL PRODUCTS			
NAME / DESCRIPTION			
SPRINGRIP RETAINER			
A	ITEM NO.	00120018	
SCALE: 6:1		SH	1 OF 1

C	15313	31-Oct-06	CM	RF
REV	ECO NO.	DATE	PREP	APVD